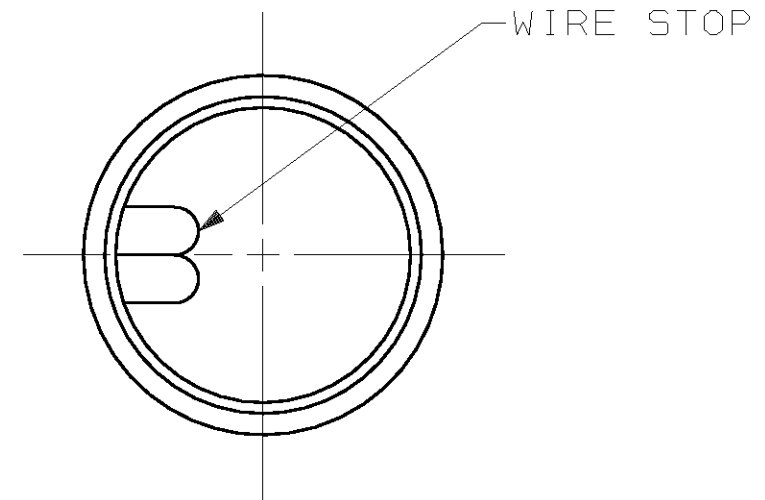
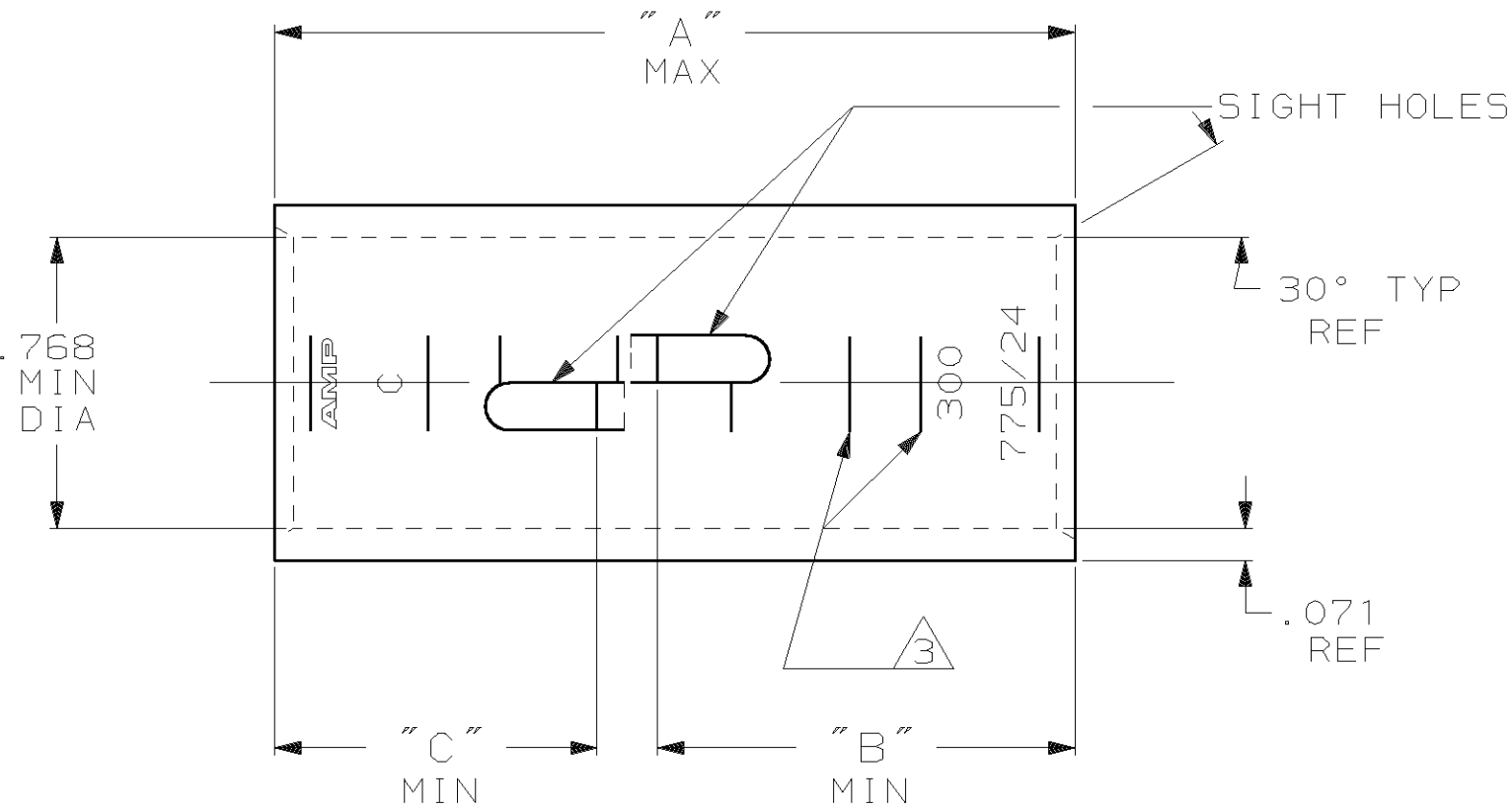


THIS DRAWING IS UNPUBLISHED. RELEASED FOR PUBLICATION, 19 .
 © COPYRIGHT 19 BY AMP INCORPORATED. ALL INTERNATIONAL RIGHTS RESERVED.

LOC G	DIST 86	P	F	REVISIONS				
				ZONE	LTR	DESCRIPTION	DATE	APPD
					T	REV PER 0G3A-0637-01	030CT02	JR/MS



- ① TIN PL .000150 MIN THK PER ASTM B-545
- ② PART NO: 324463; .116 LB.
PART NO: 1-324463-0; .116 LB.
PART NO: 2-324463-5; .132 LB.
- ③ CRIMP LOCATION MARKS ON P/N 2-324463-5 ONLY.
- ④ CLEANED, UNPLATED

1.10	.85	2.18	① ③	275-325	COPPER	2-324463-5
.85	.85	1.93	④	MCM	ASTM-B-75	1-324463-0
"C"	"B"	"A"	①	WIRE RANGE	ANNEALED	324463
DO NOT SCALE PRINT. UNLESS SPECIFIED DIMENSIONS IN INCHES TOLERANCES ON: 2 PLC DEC ± - 3 PLC DEC ± - ANGLES ± -				DR 4/24/89 DK SCHRUM	AMP AMP INCORPORATED Harrisburg, Pa. 17105	
MATERIAL SEE TABLE				CHK 4/24/89 MS FEHER		
FINISH SEE TABLE				APPD 11/8/89 WJ VOCKROTH	NAME SPLICE, BUTT, AMPPOWER	
				APPD 11/8/89 TL SHUTTER	WIRE SIZE: 300 MCM	
				PRODUCT SPEC -	SIZE B	FSCM NO 00779
				APPLICATION SPEC -	DRAWING NO 324463	
				WEIGHT ②	SCALE 2:1	SHEET 1 OF 1